

## Discription

Polyester-insulated flat conductor cables with welded or soldered pin and female header. The transition section is epoxy-resin insulated and furnished with a strain-relief.

System 360 connectors are available in a range of different versions and can be combined with all ADAPT flat conductor systems.

The connector system 360 is a separable, flexible flat conductor system equipped with robust pin and female headers. These multipoint connectors are available in one and two contact-row versions with up to 36 poles per row and are welded or soldered to the flat conductor cable and insulated with a two-component epoxy resin.

By using a polyester-insulated flat conductor cable, ADAPT has made the System 360 a cost-effective alternative to standard stranded-wire connection systems (Mini-PV, Dubox). In addition, this system is more flexible and longer lasting.

Use this system in conjunction with the respective counter connector (System 555 to System 559) wherever separable, flexible yet contact stable and space-saving one-to-one connections are necessary.

Of course, the connection system 360 can be combined with all other variants found in the 3xx series.

For technical data and order details for multipoint connectors (pin and female headers), confer the specifications found under System 555 to System 559.



**Plug Connector Systems**  
Separable, Flexible Connector System Pitch 1.27 / 2.00 / 2.54 mm



**Eberhard Köpf GmbH**

Industriestrasse 34

D-63920 Grossheubach

Phone: +49 9371/40 04-0

Telecopy: +49 9371/40 04-20

E-Mail: [vertrieb@adapt-elektronik.de](mailto:vertrieb@adapt-elektronik.de)

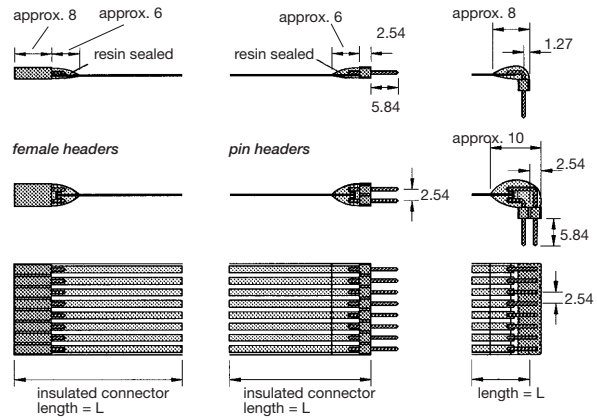
Internet: [www.adapt-elektronik.de](http://www.adapt-elektronik.de)

### Order information

For technical data and order details on multipoint connectors (pin and female headers), confer the specifications found under System 555 to System 559.

In compliance with customer specifications, we can furnish this system with connectors of other grades and styles.

Contact your local ADAPT sales representative for information on the range of possible variations and combinations.



application example in a pitch of 2.54 mm

Flat conductor cable	polyester-insulated bare flat Cu conductors,		
Voltage rating	tin-plated flat Cu conductor as alternative, UL approved		
Temperature range	300 V		
Disruptive strength: conductor/outside	-30°C to +105°C		
Disruptive strength: conductor/conductor	1000V min.		
	3000V min.		
Pitch in mm	1.27	2.00	2.54 (1.27)*
Current capacity per conductor in A	(N x 1.27) +0.5	(N x 2.00) +0.4	N x 2.54
Connector width in mm (B)	0.63	1.57	1.57 (0.63)*
Conductor width in mm	0.075	0.075	0.075
Conductor thickness in mm	29	26	26 (29)*
Wire gauge in AWG (approx.)	0.09		
Insulation thickness per side in mm	0.25		
Cable thickness in mm (approx.)	1 to 50 (32)*		
Number of conductors per contact row (N)	20 or longer		
Insulated length in mm (L)	turned brass sleeve, 5 my Sn,	turned brass sleeve, 5 my Sn,	Ph. Bz fork contact, 0.25 my
Female header: contact material	BeCu flared spring, 0.75 my Au-plating over Ni for pin Ø 0.4 – 0.48 mm	BeCu flared spring, 0.25 my Au-plating over Ni for pin Ø 0.4 – 0.56 mm	Au-plating over Ni (alternative: Alloy 770 fork contact)** for pin 0.64 x 0.64 mm
Female header: insulation material	Polyester, glassfibre-reinforced, UL 94 V-0		
Pin header: contact material	turned Ph. Bz, 0.25 my Au-plating over Ni, Ø 0.43 mm	turned Ph. Bz, 0.25 my Au-plating over Ni, Ø 0.47 mm	Ph. Bz 0.64 x 0.64 mm, 0.25 my Au-plating over Ni Polyester, (alternative: Alloy 770)**
Pin header: insulation material	glassfibre-reinforced, UL 94 V-0		
Resin seal in transition section	Two-component epoxy resin, black, UL 94-HB, thermostability: 200°C		

\* Data in parentheses: A two-row multipoint connector, pitch 2.54 mm, is furnished one layer of flat conductor cable (pitch 1.27 mm) as a standard. Should you require a double conductor arrangement (pitch 2.54 mm) for higher capacity, please include such specifications with your order!

\*\* Alloy 770: This alloy consists of 55% Cu, 27% Zn, 18% Ni

### Details for ordering

360 - SL - 150 - 12 - 1 - 2.54 - XX

Pin and female headers Connector System 360

Defines pin or female header

SL = pin header

BL = female header

SL/BL = pin header on one end, female header on the other

Insulated length in mm = L, Tolerance: ±2 mm

Number of conductors per contact row = N

Number of contact rows

1 = single row (one cable layer)

2 = double row (two cable layers)

Pitch of the pin- or female header = 1.27 / 2.00 / 2.54 mm

Other ADAPT system (-320 - ...), Applicable solely in combination with another system